



SRE-2000E Electra-Ride Elite™ Stairway Elevator for Outdoor Use **Technical Specifications**

Rev: 10/30/2006
ISO No. 404.88

MODEL NUMBER: SRE-2000E
U.S. F.D.A. CLASSIFICATION: Class II,
CLASSIFICATION NUMBER: 890.5150

PERFORMANCE STANDARDS: USA Food & Drug Administration: None
ANSI/ASME: A18.1-2005 Safety Standards for Platform Lifts and Stairway Chairlifts
ANSI/ASME: A17.1-1996 Private Residence Inclined Lifts (PART XXI)

RATED LOAD: 400 lbs maximum

NUMBER OF PASSENGERS: 1

CONSTRUCTION: Exterior grade powder coated steel. Stainless steel hardware.
Weatherized electronics and controls.

POWER SOURCE: 24 Volt DC comprised of 2 ea 7amp/hr 12 volt sealed maintenance-free lead acid batteries. On/Off power switch to prevent battery drain over lengthy storage periods.

CHARGER: 110 Volt AC 1.5 Amp, 24 Volt DC 2 Amp continuous monitoring, full primary cut off. Charger should be located inside to avoid the elements. All exterior wiring is low voltage 24 volt.

CHARGING SYSTEM: Carriage charges at either end of the rail on innovative watertight sliding contacts.

DRIVE: 24 Volt DC motor, 2 pole rated 1.02 hp intermittent duty (2hr cont.) limited at current setting, no load speed 3800 rpm

GEAR BOX: 20:1 Right angle self locking worm drive

INTERMEDIATE REDUCTION: (Motor & Gearbox) "J" style poly-V belt with dual 3 V wide belts, 4: 1 reduction.

FINAL DRIVE: Integrated 8dp gear rack on rail with a spur gear on the gearbox output shaft.

MOTOR CONTROLLER: Custom 24 Volt DC PWM controller with acceleration ramping.

BRAKING: dynamic motor braking through the motor controller and self locking worm gear box.

Bruno Independent Living Aids, Inc., 1780 Executive Drive, P.O. Box 84, Oconomowoc, WI 53066
Phone (800) 882-8183 Fax (262) 953-5501

Any reproduction or other use of these materials without written permission of Bruno Independent Living Aids, Inc. is expressly prohibited. Bruno Independent Living Aids, Inc. reserves the right to modify or make changes to these specifications at any time without notice.

REMOTE CONTROL: Custom 2.4 GHz wireless "CALL/SEND" control with interference suppression. Momentary switching requires a user to continuously hold button to control unit. Keyed controls standard.

STANDARD CONTROL: 3 position, momentary rocker switch requiring user to continuously hold rocker switch to control unit, switch mounted under armrest. Keyed control standard.

MOUNT: Either side of stairway, the unit is easily installed on either side of the staircase.

SUPPORTS: Clamps anchored to stair tread, normal rail position is 1 1/2" above step nose. Number of clamps dependent on the length of rail. Optional height clamps available.

ANGLE: Adjustable from 23 to 45 degrees standard, specials to 50 degrees.

SPEED: User adjustable with a maximum of 32 feet per minute, actual loaded top speed 25 feet per minute.

LENGTH OF TRACK: 16 foot & 20 foot standard, Dealer to cut to fit the actual length of the stair, see application guide. Custom lengths available.

TRACK CONSTRUCTION: Aluminum extruded rail with covered steel gear rack. Bolted joint plate located at each rail joint.

FOOTREST: Folding footrest with safety sensor panel and handle actuator.

SEAT: Padded, Folding & Swivels with stops at 30 degree intervals (+/- 60 degrees max.) Swivel release located on armrest. Multiple position seat height adjustments.

SEAT COVER: Articulating folding cover that provides weather protection to the seat and carriage when unit is in the folded, stored position.

ARMRESTS: Fixed to seat frame. Armrest can be individually rotated towards seat back for smaller profile when not in use and easier transfers.

SAFETY EQUIPMENT: 1) Seat swivel switch allows operation only when chair is center position.

2) Footrest safety switches

3) Retractable seat belts

4) Charging Light (amber) at each end of rail

5) 30 amp manual reset breaker on the motor control circuit

6) 5amp power switch fuse on the control circuits

7) Final end stop bumper at each end of the rail

8) Final limit switch

9) Full diagnostic interconnect circuit board

POWER OUTAGE: Unit will have 8 (minimum) to 20 round trips on battery charge (variance caused by angle, length of run, ambient temperature and rider weight). Battery charge will last between 28 and 36 hours after the power is disconnected.

WEIGHT OF UNIT: 387 lbs. without rider in a typical 16 foot installation

**Bruno Independent Living Aids, Inc., 1780 Executive Drive, P.O. Box 84, Oconomowoc, WI 53066
Phone (800) 882-8183 Fax (262) 953-5501**

Any reproduction or other use of these materials without written permission of Bruno Independent Living Aids, Inc. is expressly prohibited. Bruno Independent Living Aids, Inc. reserves the right to modify or make changes to these specifications at any time without notice.

TESTING PERFORMED:

- 1) Life cycle of 36,000+ cycles with full rated load at 45 degrees on a 20' rail. Gearbox, rail, and components had minimal wear. Estimated yearly heavy use is 1200 cycles. This test performed at manufacturer's location.
- 2) Battery charger meets UL 1236 battery charger specifications and has been independently tested.
- 3) The self locking gear box was statically tested with 2800 lbs (7X rated load) on a 45 degree rail for 15 minutes with no carriage movement. This test was performed at the manufacturer's location.
- 4) Repetitive tests were run to determine power outage cycling.
- 5) Electrical discharge to ground testing performed for FDA 510(k).
- 6) The electrical enclosure is IPX3 (IEC 259), providing protection against spraying water.
- 7) Environmental operating temperature range:
 - 5°C (25°F) to 50°C (125°F)Long term storage without battery removal:
 - 40°C (-40°F) to 65°C (150°F)Environmental testing performed at an Independent testing facility.

COMMERCIAL PACKAGE: Not available.

**Bruno Independent Living Aids, Inc., 1780 Executive Drive, P.O. Box 84, Oconomowoc, WI 53066
Phone (800) 882-8183 Fax (262) 953-5501**

Any reproduction or other use of these materials without written permission of Bruno Independent Living Aids, Inc. is expressly prohibited. Bruno Independent Living Aids, Inc. reserves the right to modify or make changes to these specifications at any time without notice.

TECHNICAL DATA/SPECIFICATIONS

MODEL: SRE-2000E ELECTRA-RIDE ELITE FOR OUTDOOR USE
 RATED LOAD: 400 LBS, ONE PASSENGER
 POWER SOURCE: 24 VOLT DC COMPRISED OF (2) 7 AMP/HR
 12 VOLT SEALED BATTERIES.

110 VOLT AC 1.5 AMP, 24 VOLT DC 3 AMP
 CONTINUOUS MONITORING CHARGER.
 CHARGER MUST BE LOCATED INSIDE.
 DRIVE: 24 VOLT DC MOTOR, 2 POLE RATED 1.02 HP
 NO LOAD SPEED OF 3800 RPM.
 20:1 RIGHT ANGLE SELF LOCKING WORM DRIVE
 GEAR BOX WITH 4:1 INTERMEDIATE REDUCTION
 USING DUAL 3 V WIDE BELTS.

FINAL DRIVE: RACK & PINION - INTEGRATED 8 ϕ GEAR RACK
 ON RAIL WITH A SPUR GEAR ON THE GEARBOX
 OUTPUT SHAFT.

BRAKING: DYNAMIC MOTOR BRAKING THROUGH THE MOTOR
 CONTROLLER AND SELF LOCKING WORM GEAR.

CONTROLS: CONTINUOUS PRESSURE ROCKER SWITCH LOCATED
 ON ARMREST AND WALL MOUNTED CALL/SEND
 CONTROLS LOCATED AT BOTH TOP & BOTTOM
 LANDINGS. ALL CONTROLS ARE KEYPED.

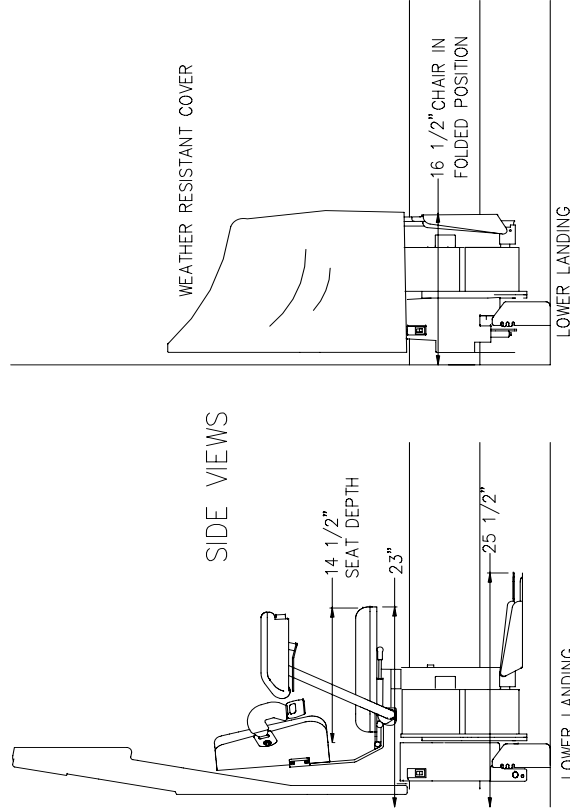
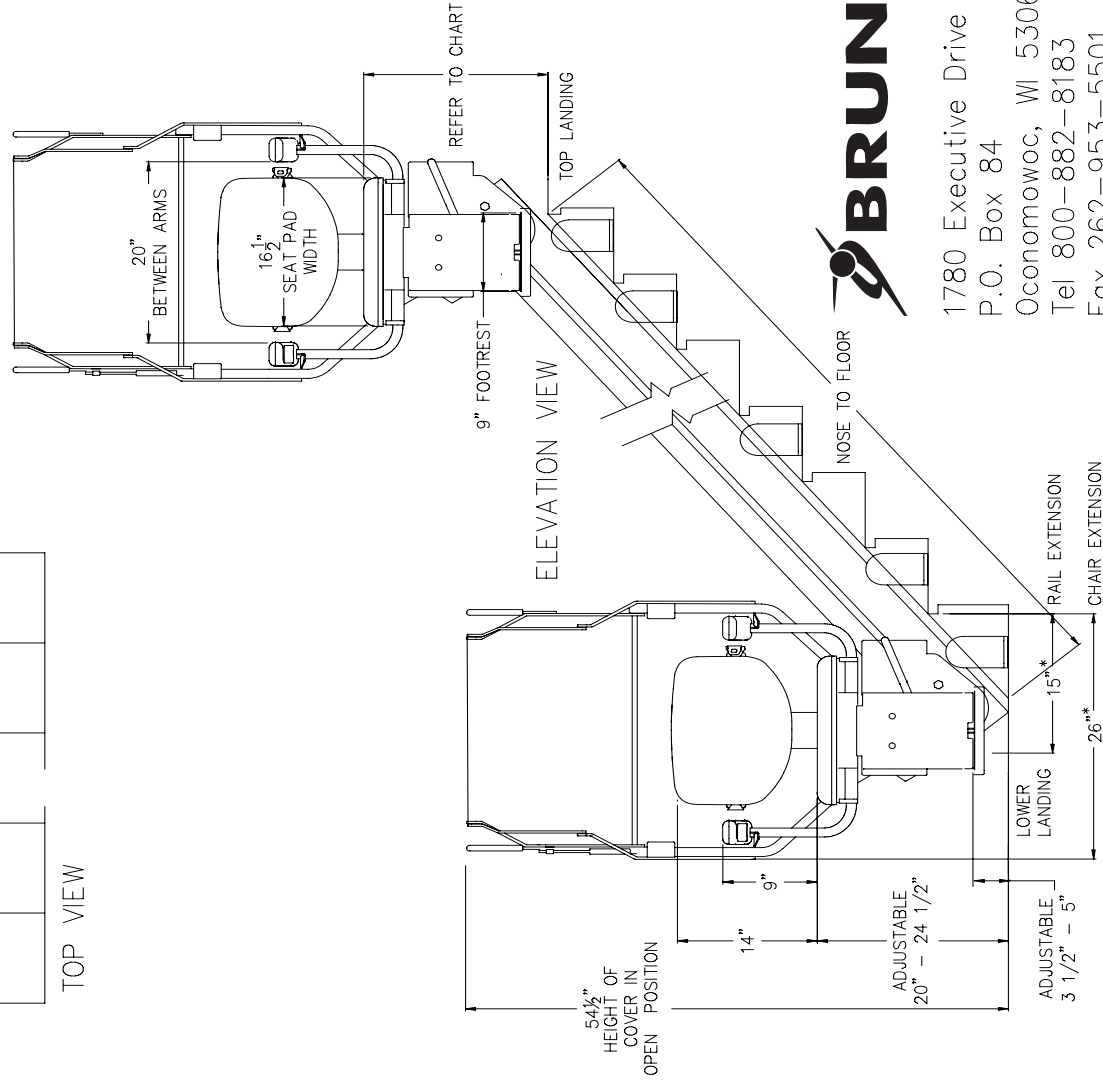
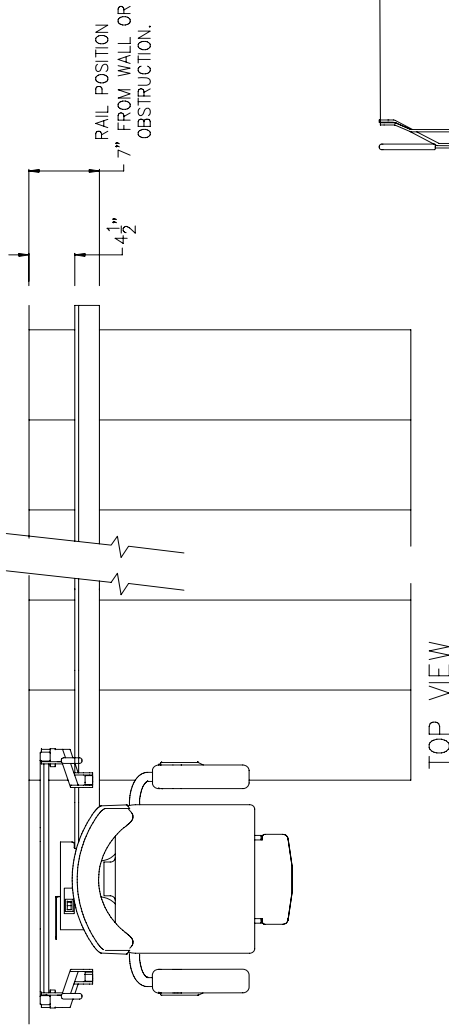
ANGLES: 23 TO 45 DEGREES (Specials up to 50 Degrees)

SPEED: 32 FEET PER MINUTE UNLOADED
 25 FEET PER MINUTE WITH RATED LOAD
 (SPEED SETTINGS ARE ADJUSTABLE)

FINAL LIMIT SWITCH STANDARD

WEATHER RESISTANT COVER SYSTEM

TESTED IN TEMPERATURES RANGING FROM 25-125°F



* LOWER LANDING EXTENSION DIMENSIONS ARE
 BASED ON 40 DEGREE RAIL SLOPE AND 8" 1ST
 RISER HEIGHT. DIMENSIONS WILL VARY BASED ON
 SLOPE AND RISER HEIGHT.



1780 Executive Drive
 P.O. Box 84
 Oconomowoc, WI 53066
 Tel 800-882-8183
 Fax 262-953-5501
<http://www.bruno.com/>